

HTM150 Hot Tapping machine

18" stroke – Ø1/2 - 4" capacity



A version of our HTM machines that have a maximum working pressure capacity of 1480 p.s.i and can Hot tap from Ø1/2 – 4" specifically designed for the water, gas and petrochemical industries .

- ***Manual rotation & feed***
- ***2" NPT connection***
- ***Lightweight construction***
- ***Pressure 102 bar (1480 psi)***

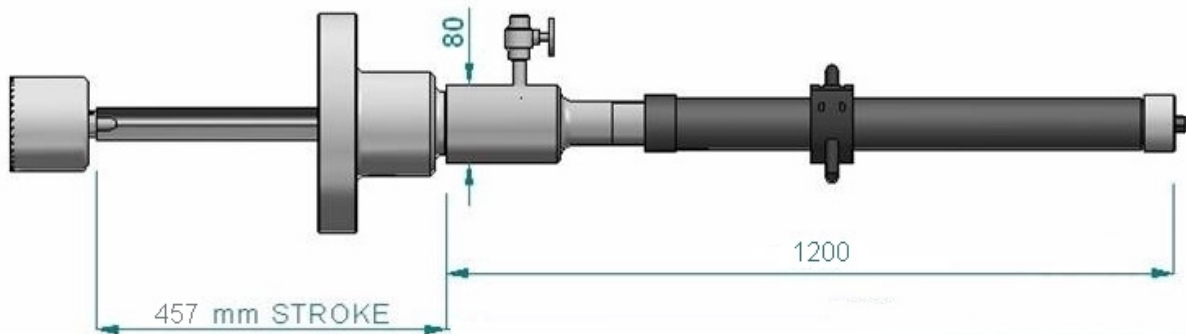
Technical Details

RANGE		
Minimum tapping hole diameter	13mm	1/2"
Maximum tapping hole diameter	102mm	4"
Maximum working pressure	1480 p.s.i	102 bar
Maximum operating temperature	200° C	392° F
Minimum clearance for spindle	33mm	1.3"
Spindle bar travel	457mm	18"
R.P.M (when ratchet driven)	0	200
Drive – Pneumatic (weight + 4 kgs)	0.9 Hp	0.67Kw
Air supply required @ 90 p.s.i	42 s.c.f.m	1.19 m3/m

FEED RATES		
Feed rate – Manual / revolution	3.0mm	0.118"

WEIGHTS AND DIMENSIONS		
Machine weight	25 kgs	55 lbs
Shipping weight	41 Kgs	90 lbs

Shipping dimensions	L - 135cm - (34")	W- 38cm (15")	H- 36cm (14")
---------------------	-------------------	---------------	---------------



The machine is supplied complete with toolkit, air filter lubricator (when required) and hose connection, all required hole saw adapters and drive plates, storage / shipping box, CE certificate, Packing list and Manual

Pishgam Sanat Abzar Co.

Main office: No 372, 3rd floor, Abzar & Yaragh center, Imam Khomeini Street, Tehran, Iran

Tel. +982166712530, +982166713540

Manufacturing site: No. 3, 15 th St., Rezvanieh, Kamalshahr, Karaj, Iran. Tel.; +982634717900-4

info@pishgam.co.ir, www.pishgam.co.ir

