

# MHT12-36 Hot Tapping machine

**110" stroke – Ø12 - 36" capacity**



## Description

A Hot Tapping machine used to make connections and branches to pipelines without shutdown either surface or sub sea (with optional kit).

The Mirage MHT range is designed for ease of use in making 12 – 36 inch (305 – 915mm) taps into various material pipelines and tanks with the ability to fast traverse and vary the cutter feed rate. Hydraulically operated with industry standard boring bar connection and flange adapter connection for existing equipment.

Maximum working pressure is 1,480 p.s.i (100 bar) at 100°F (38°C). Operating temperature continuous rating is 350 °F (177°C) at 1025 psi (70 bar). Intermittent service rating is -20°F (-9°C) to 700°F (371°C) at 700 psi (48 bar).

Access ladder and platform provided for operator use.

## Features

- **Helical geared 35hp drive.**
- **Drive as close to cutter as possible**
- **4 speed feed gearbox**
- **Fast traverse feed motor**
- **6" Boring bar as standard**
- **Access ladder and skid**
- **Cutter holders 12 – 36" included**
- **Interchangeable seal cartridge**
- **Industry standard connections**

### Technical Details

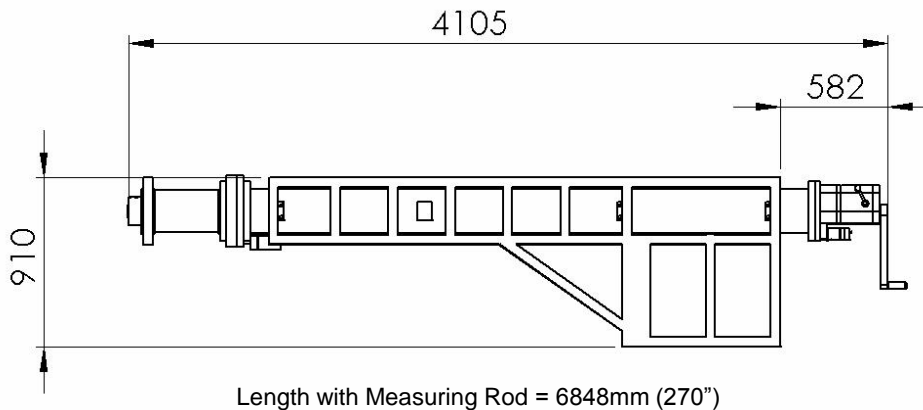
Minimum tapping hole diameter	305mm	12"
Maximum tapping hole diameter	915mm	36"
Maximum operating pressure	102 bar	1480 p.s.i
Standard certified pressure	102 bar	1480 p.s.i
Maximum operating temperature (continuous)	177° C	350° F
Boring bar travel	2794mm	110"
Boring bar diameter	150mm	6"
R.P.M	Min: 5	Max: 40
Drive – Hydraulic @ 100bar (1450 psi)	35 Hp	26.1 Kw
Fast traverse feed – Hydraulic	2.2 Hp	1.64 Kw
Hydraulic supply required @ 1050 p.s.i (100bar)	50 L/min	13 gal/min

### Feed Rates

Feed rate – Manual / revolution	8.46mm	0.333"
Fast traverse feed rate	0 – 1000 mm/min	0 – 40" /min
Feed rate auto feed gearbox / rev	0.025, 0.076, 0.10, 0.14mm	0.001", 0.003", 0.004", 0.0055"

### Weights and dimensions

Machine weight	1835 kgs	4037 lbs	
Shipping weight	2035 kgs	4477 lbs	
Shipping dimensions	L - 420cm (165")	W - 93cm (36")	H - 70cm (28")



The machine is supplied complete with Hot tap machine, hydraulic fast traverse and boring bar drive motor, lifting brackets, (12-24"), (26-42") cutter holders, connection hoses, valves and pressure gauge, Toolkit, all required mounting studs and nuts and #600 connection spool, ladder / skid, CE certificate, Packing list and Manual – pressure certificate for working pressure - 1480 psi (100 bar)

### *PP4 - Hydraulic power unit*

Engine – Diesel	35 Kw	47 Hp
Maximum Pump delivery	0 -80 Lpm	0 - 21 gpm
Maximum operating pressure	100 bar	1450 p.s.i
Standard reservoir capacity	250 litres	55 gallons
Diesel fuel tank capacity	25 litres	5.5 gallons
Weight (not including fuel and hydraulic oil)	727 Kgs	1600 Lbs
12volt battery start and pendant control		

### *Plug holder*

Nominal size		Weight		
Inches	mm	Lbs	Kgs	Part Number
12 – 36	305 – 915	14	6.4	MHT12-42-5-3

### *Standard Flange adapters*

Nominal size		ASME class 150			ASME class 300			ASME class 600		
In	DN	Lbs	Kgs	Part Number	Lbs	Kgs	Part Number	Lbs	Kgs	Part Number
12	300	170	77	150-12FA	232	105	300-12FA	268	121.8	600-12FA
14	350	240	109	150-14FA	255	116	300-14FA	354	161	600-14FA
16	400	280	127	150-16FA	315	143	300-16FA	510	232	600-16FA
18	450	329	149	150-18FA	363	165	300-18FA	560	254	600-18FA
20	500	416	189	150-20FA	465	211	300-20FA	730	332	600-20FA
22	550	425	193	150-22FA	567	257	300-22FA	925	420	600-22FA
24	600	612	278	150-24FA	786	357	300-24FA	1125	510	600-24FA
26	650	633	287	150-26FA	920	417	300-26FA	1260	572	600-26FA
28	700	700	318	150-28FA	1066	484	300-28FA	1530	695	600-28FA
30	750	791	359	150-30FA	1375	624	300-30FA	1875	851	600-30FA
32	800	990	449	150-32FA	1580	720	300-32FA	2036	924	600-32FA
34	850	1250	568	150-34FA	2250	1022	300-34FA	2450	1113	600-34FA
36	900	1650	748	150-36FA	2650	1200	300-36FA	2615	1186	600-36FA

### Standard Hot tap applications

Nominal size		Actual size		Standard hot tap cutters			Standard hot tap pilot drills		
In	DN	In	mm	Lbs	Kgs	Part Number	Lbs	Kgs	Part Number
12	300	11.5	292	36	16	HTC12	5	2.2	SHTPD12
14	350	12.75	324	42	19	HTC14	5.5	2.5	SHTPD14
16	400	14.69	373	55	25	HTC16	6	2.7	SHTPD16
18	450	15.06	383	53.5	24	HTC18	6	2.7	SHTPD18
20	500	17	432	84	38	HTC20	6.5	2.9	SHTPD20
22	550	19	483	98	45	HTC22	7.5	3.4	SHTPD22
24	600	21	533	125	57	HTC24	8	3.6	SHTPD24
26	650	23	584	135	61	HTC26	8.5	3.8	SHTPD26
28	700	25	635	156	71	HTC28	10.5	4.7	SHTPD28
30	750	27	686	232	105	HTC30	11	5	SHTPD30
32	800	29	737	275	125	HTC32	15	6.8	SHTPD32
34	850	31	787	230	150	HTC34	15	6.8	SHTPD34
36	900	33	838	395	179	HTC36	18	8.1	SHTPD36

### Standard Line Stop applications

Nominal size		Actual size		Standard Line stop cutters			Standard Line stop pilot drills		
In	DN	In	mm	Lbs	Kgs	Part Number	Lbs	Kgs	Part Number
12	300	11.81	300	36	18	LSC12	5	2.2	LSPD12
14	350	13.06	332	42	22	LSC14	5.5	2.5	LSPD14
16	400	15.06	383	53.5	24	LSC16	6	2.7	LSPD16
18	450	17	432	84	38	LSC18	6	2.7	LSPD18
20	500	19	483	98	45	LSC20	6.5	2.9	LSPD20
22	550	21	533	125	57	LSC22	7.5	3.4	LSPD22
24	600	23	584	135	61	LSC24	8	3.6	LSPD24
26	650	25	635	156	71	LSC26	8.5	3.8	LSPD26
28	700	27	686	232	105	LSC28	10.5	4.7	LSPD28
30	750	29	737	275	125	LSC30	11	5	LSPD30
32	800	31	787	230	150	LSC32	15	6.8	LSPD32
34	850	33	838	395	179	LSC34	15	6.8	LSPD34
36	900	35	889	430	195	LSC36	18	8.1	LSPD36