

HT50 Portable drill

17" stroke – Ø5" capacity



A versatile portable drilling and boring machine for general drilling and stud removal applications. The machine can be bolted directly to the work piece or have our new optional switch magnet base.

- ***Linear rails & guides – accuracy and rigidity***
- ***ISO50 spindle accepts standard tooling***
- ***Geared reduction spindle drive***
- ***Auto feed / Hand feed gearbox and motor***

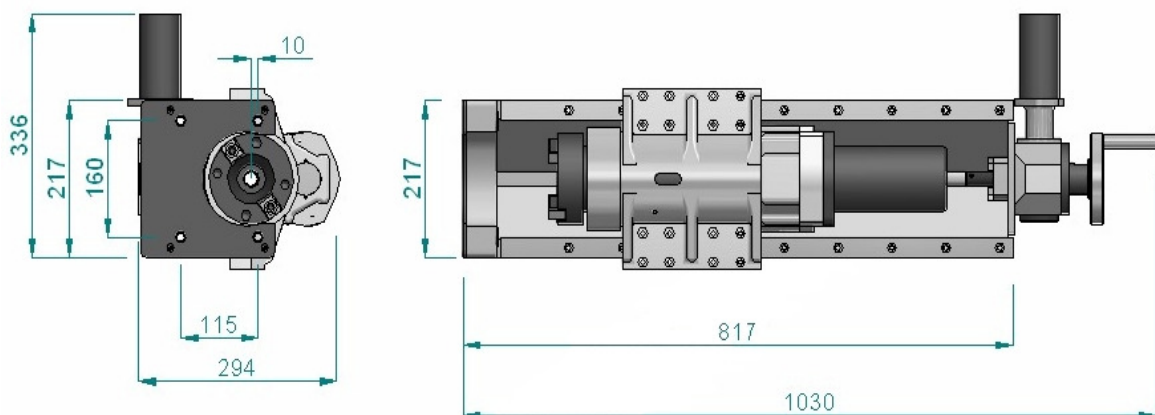
Technical Details

| RANGE | | |
|---|------------|------------|
| Maximum Hole diameter (through base) | 125mm | 5" |
| Standard stroke | 405mm | 16" |
| Maximum stroke available (optional) | 800mm | 31.5" |
| R.P.M – standard | Min: 5 | Max: 60 |
| Drive – Pneumatic @ 6 bar (90 p.s.i) | 4.0 Hp | 3.0 Kw |
| Drive – Hydraulic @ 70 bar (1050 p.s.i) | 5.0 Hp | 3.7 Kw |
| Feed – Pneumatic @ 6 bar (90 p.s.i) | 1.5 Hp | 1.11 Kw |
| Feed – hydraulic @ 70 bar (1050 p.s.i) | 2.2 Hp | 1.64 Kw |
| Air consumption required | 98 s.c.f.m | 2.69 m3/m |
| Hydraulic supply required | 50 L/min | 13 gal/min |

| FEED RATES | | |
|-------------------------------|---------------|---------------|
| Hand feed (Feed / revolution) | 2.5mm | 0.100" |
| Variable auto feed (optional) | 0 – 32 mm/min | 0 - 1.25"/min |

| WEIGHTS AND DIMENSIONS | | |
|---|---------|---------|
| Machine weight (including 10kg auto feed) | 98 kgs | 216 lbs |
| Shipping weight | 127 Kgs | 279 lbs |

| | | | |
|---------------------|-------------------|---------------|---------------|
| Shipping dimensions | L - 110cm - (43") | W- 40cm (16") | H- 49cm (19") |
|---------------------|-------------------|---------------|---------------|



The machine is supplied complete with toolkit, air filter lubricator (when air driven) and hose connection, storage / shipping box, CE certificate, Packing list and Manual

Pishgam Sanat Abzar Co.

Main office: No 372, 3rd floor, Abzar & Yaragh center, Imam Khomeini Street, Tehran, Iran
Tel. +982166712530, +982166713540

Manufacturing site: No. 3, 15 th St., Rezvanieh, Kamalshahr, Karaj, Iran. Tel.; +982634717900-4
info@pishgam.co.ir, www.pishgam.co.ir

